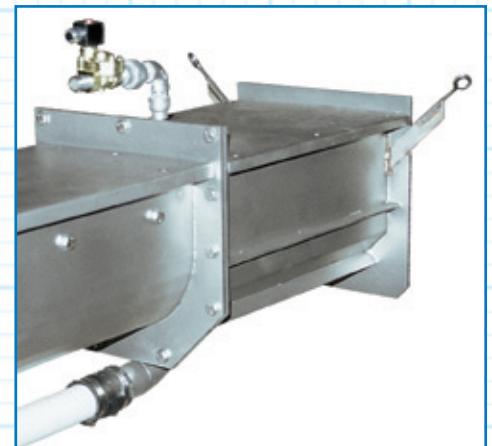
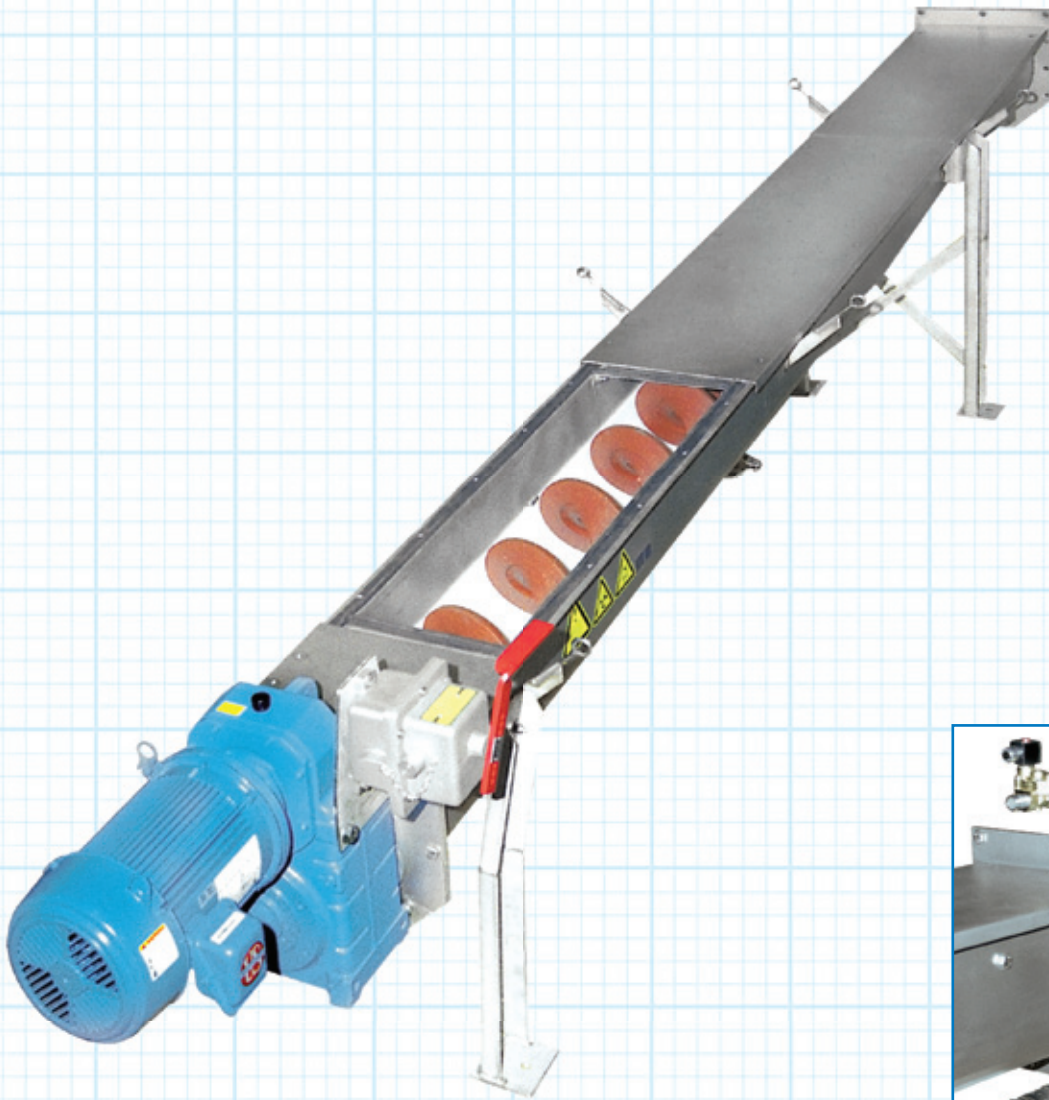




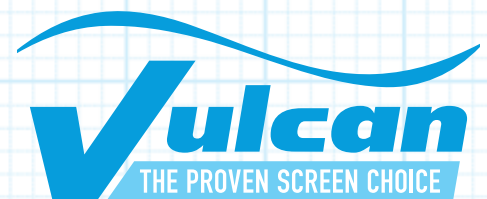
Model TF Shaftless Screw Conveyor

Product Information Guide



Optional Compaction Head

Find more product information at:
vulcanindustries.com





Model TF Shaftless Screw Conveyor

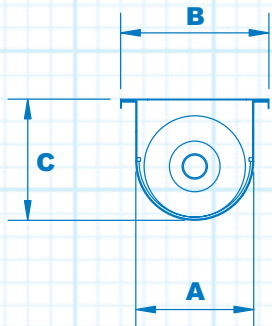
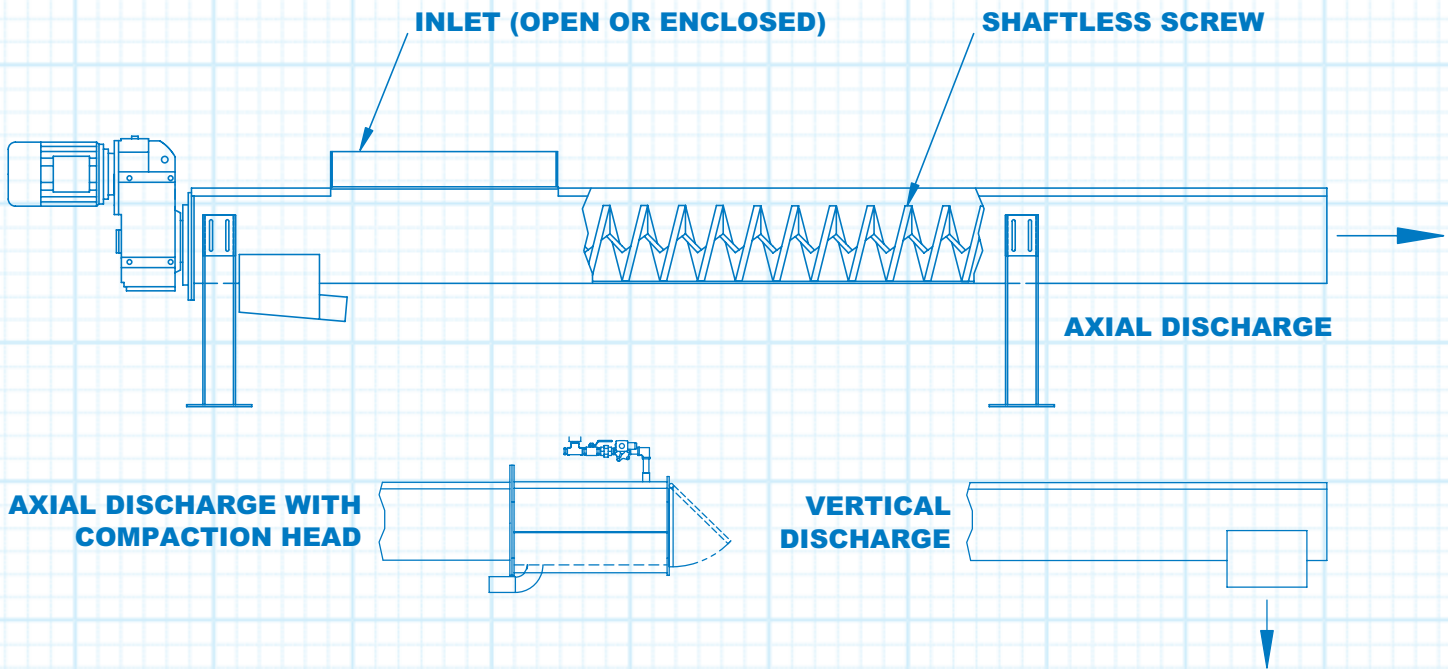
The **Model TF Shaftless Screw Conveyor** is utilized for the transport of screenings, grit or sludge in municipal and industrial wastewater treatment applications.

and custom-built for each application. Multiple inlet hoppers can be provided to allow solids from multiple sources to be accepted. UHMW polyethylene liners are mounted in the bottom of the U-trough and fully support the shaftless screw along its length.

Construction

The conveyor body can be constructed of 304 or 316 stainless steel. The shaftless screw is available in high-strength alloy steel or stainless steel. The screw conveyor utilizes a fully enclosed U-trough with removable covers. The conveyor body is modular

For screenings applications, a compaction head can be provided on the discharge end of the conveyor to dewater and reduce the overall volume of screenings. A water flushing system is provided as an integral part of the compaction head to ensure that it remains clear of debris.



| Model | A | B | C | Nominal Spiral Diameter | Capacity |
|--------|-------|-------|-------|-------------------------|--------------------------|
| TF-185 | 9" | 12 ½" | 9" | 7" | 66 ft ³ /hr |
| TF-240 | 11 ¼" | 14 ½" | 11 ½" | 10" | 144 ft ³ /hr |
| TF-280 | 12 ¼" | 16 ¼" | 13" | 11" | 228 ft ³ /hr |
| TF-390 | 17 ⅛" | 20 ½" | 17 ¾" | 16" | 616 ft ³ /hr |
| TF-475 | 20 ⅞" | 24 ½" | 21 ¼" | 19" | 1114 ft ³ /hr |
| TF-530 | 22 ⅞" | 26 ¼" | 23 ¾" | 21" | 1548 ft ³ /hr |

Horizontal conveying capacities at 25% trough loading.
Maximum speed of 25 RPM.

Find more product information at:
vulcanindustries.com

212 S. Kirlin Street
Missouri Valley, Iowa 51555 USA
712-642-2755 Fax 712-642-4256

